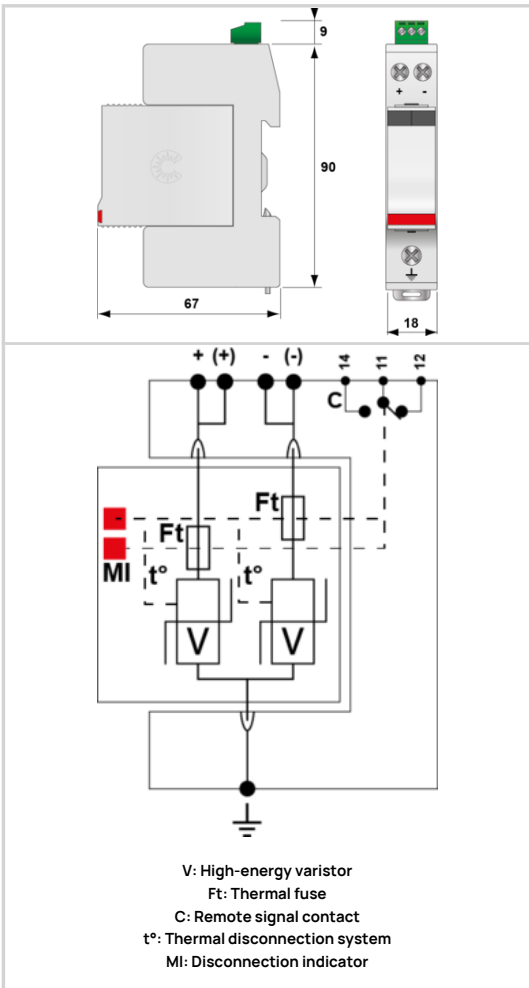


DS240S-220DC



- DC power surge protector
- 220 Vdc
- Compact design
- I<sub>max</sub>: 40 kA
- Pluggable module
- Remote signaling
- Very low U<sub>p</sub> protection level



**Electrical Characteristics**

SPD type (following IEC tests)		2
Network		DC or PV network 220Vdc
Nominal DC voltage	Un-dc	220 Vdc
Nominal PV voltage	Uocstc	220 Vdc
Max. AC operating voltage	Uc	210 Vac
Max. PV operating voltage	Ucpv	275 Vdc
Max. DC operating voltage	Uc	275 Vdc
Max. load current	IL	20 A
Residual Current (Leakage current to Ground)	I <sub>pe</sub>	< 0.1 mA
PV Permanent Operating current (Current consumption at Ucpv)	I <sub>cpv</sub>	< 0.1 mA
Follow current	I <sub>f</sub>	None
Nominal discharge current (15 x 8/20 μs impulses)	I <sub>n</sub>	20 kA
Max. discharge current (max. withstand @ 8/20 μs by pole)	I <sub>max</sub>	40 kA
Total Maximum discharge current (max. total withstand @ 8/20 μs)	I <sub>max Total</sub>	80 kA
Current withstand short circuit PV	I <sub>scpv</sub>	1000 A
Connection mode(s)		+/-/PE
Protection mode(s)		Common mode
Protection level +/-/PE (@ I <sub>n</sub> (8/20μs))	U <sub>p</sub>	900 V

**Mechanical Characteristics**

Technology		MOV
SPD configuration		2 poles
Connection to Network		By screw terminals: 1.5-10mm <sup>2</sup> (actives wires) and 2.5-25mm <sup>2</sup> (ground)
Format		Plug-in modular box
Mounting		Symmetrical rail 35 mm (DIN 60715)
Housing material		Thermoplastic UL94 V-0
Operating temperature	Tu	-40/+85°C
Protection rating		IP20
Failsafe mode		disconnection from DC line
Disconnection indicator		2 mechanical indicators
Spare module(s)		DSM240-220DC
Remote signaling of disconnection		Output on changeover contact
Dimensions		See diagram
Weight		0.125 kg

**Disconnectors**

Thermal disconnector		internal
Fuses		Fuses type gG - 50 A

**Standards**

Standards compliance		IEC 61643-11 / EN 61643-11 / UL1449 ed.4
Certification		UL / EAC / TÜV

**Part number**

## DS240S-220DC

310211