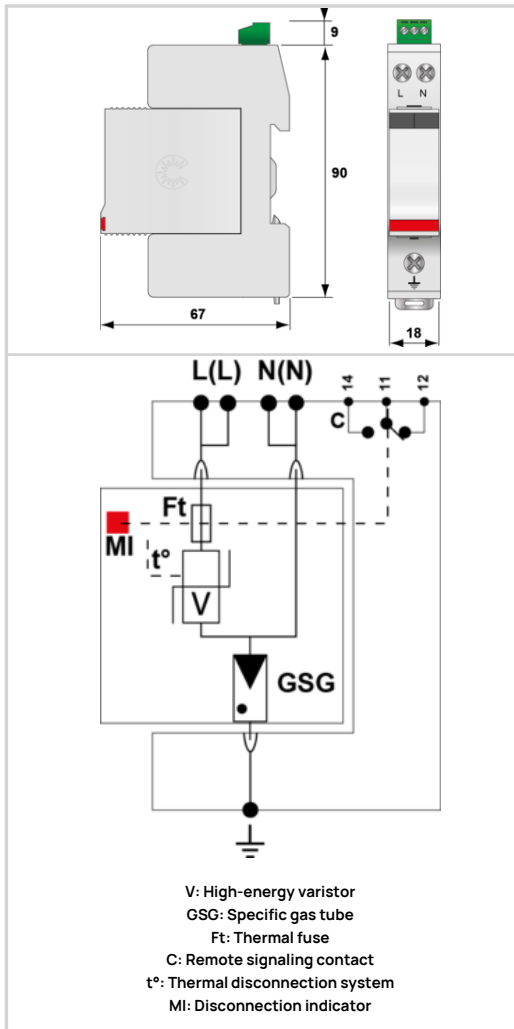


DS240S-230/G



- ↳ Compact single-phase Type 2 surge protector
- ↳ In : 20 kA
- ↳ Imax : 40 kA
- ↳ Common/Differential mode
- ↳ Pluggable module
- ↳ Remote signaling
- ↳ EN 61643-11, IEC 61643-11 compliance
- ↳ UL1449 ed.4



Electrical Characteristics

SPD type (following IEC tests)	2	
Network	230 V single-phase	
AC system	TT-TN	
Max. AC operating voltage	Uc	255 Vac
Max. load current (if series connection)	IL	20 A
Temporary Over Voltage (TOV) Characteristics - 5 sec. (Without disconnection)	UT	335 Vac withstand
Temporary Over Voltage (TOV) Characteristics - 120 mn (Without disconnection or with safety disconnection)	UT	440 Vac disconnection
Temporary Over Voltage N/PE (TOV HT) (Without disconnection or with safety disconnection)	UT	1200 V/300A/200 ms withstand
Residual Current (Leakage current to Ground)	Ipe	None
Follow current	If	None
Nominal discharge current (15 x 8/20 µs impulses)	In	20 kA
Max. discharge current (max. withstand @ 8/20 µs by pole)	Imax	40 kA
Total Maximum discharge current (max. total withstand @ 8/20 µs)	Imax Total	40 kA
Protection mode(s)	Common/Differential mode	
Residual voltage at 5 kA (@ 5 kA (8/20µs))	Up-5kA	1.5/0.9 kV
Protection level CM/DM (@ In (8/20µs))	Up mc /md	1.5/1.25 kV
Admissible short-circuit current	Iscrc	10 000 A

Mechanical Characteristics

Technology	MOV	
SPD configuration	Single phase	
Connection to Network	by screw terminals: 1.5-10mm ² (L/N) or 2.5-25mm ² (PE)	
Format	Plug-in modular box	
Mounting	Symmetrical rail 35 mm (DIN 60715)	
Housing material	Thermoplastic UL94 V-0	
Operating temperature	Tu	-40/+85°C
Protection rating	IP20	
Failsafe mode	Disconnection	
Disconnection indicator	1 mechanical indicator	
Spare module(s)	DSM240-230/G	
Remote signaling of disconnection	Output on changeover contact	
Dimensions	See diagram	

Disconnectors

Thermal disconnector	Internal	
Installation ground fault breaker	Type 'S' or delayed	
Fuses	Fuses type gG - 50 A	

Standards

DS240S-230/G

Standards compliance	IEC 61643-11 / EN 61643-11 / UL1449 ed.4
Certification	UL / CSA / EAC / TUV SUD
Part number	
311731	